

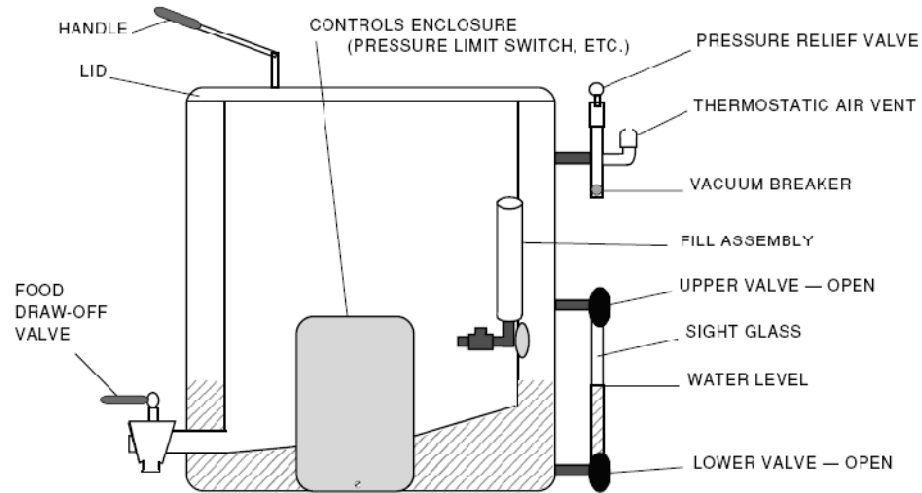


Fully Jacketed Gas Kettle

Operator's Routine Checklist

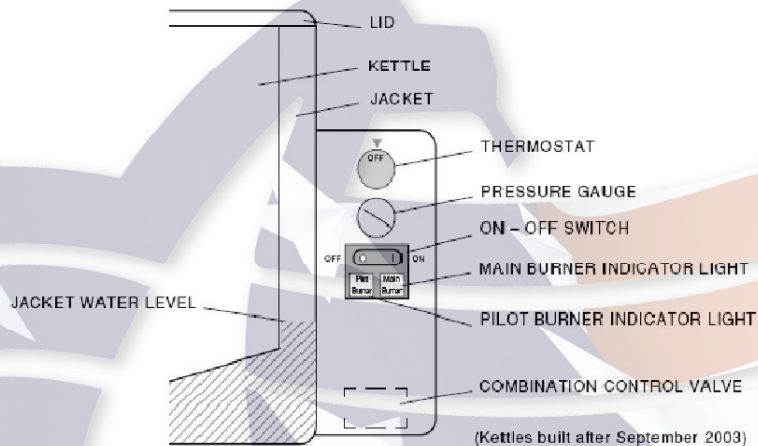


KETTLE FEATURES — COMMON TO ALL CONSTRUCTIONS (Fig. 4)



DAILY BEFORE OPERATION

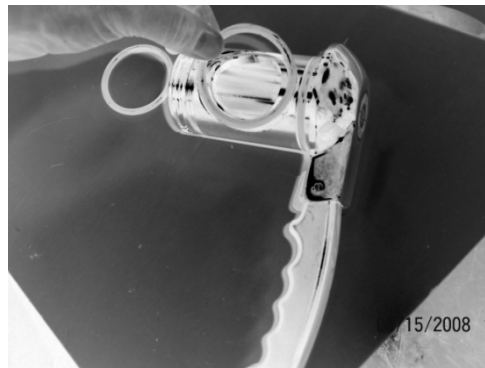
- Check water level in site gauge, if water is below the halfway mark refer to operator's manual for refilling instructions.
- Check water in sight glass for contamination, if water is cloudy or dark replace water in jacket per operator's manual.



- Turn on unit and verify pilot indicator light comes on and stays lit. If pilot indicator light does not stay on, check gas supply valve to make sure it is turned on and follow relighting instructions in the operator's manual.
- Turn thermostat setting up to max setting and verify pressure gauge does not exceed 15 PSI.
- Check sight glass, relief valve, and fill assemblies for leaks.
- Test pressure relief valve for proper operation.

DAILY AFTER USE

- Turn thermostat to lowest setting and turn power switch off.
- Cleaning
 1. Remove retaining screw from draw off valve.
 2. Rotate and lift on valve handle till plug comes out.
 3. Remove "O" rings from valve face.
 4. Clean the valve plug, "O" rings, with mild soap and water, rinse thoroughly and dry.
 5. Clean unit thoroughly with mild soap and water, do use any cleaners with chlorides or chlorine and refer to operator's manual for recommended cleaning procedures.
 6. Apply PetroGel to valve "O" rings and reassemble.



YEARLY MAINTANENCE

- Inspect and clean low water cutoff assembly, per operator's manual.
- Drain and refill kettle jacket per operator's manual.
- Check kettle exhaust flue for soot, if found call an authorized servicer.
- Verify hoods system is operating per manufactures specification and is clean and free of obstructions and grease build up.

